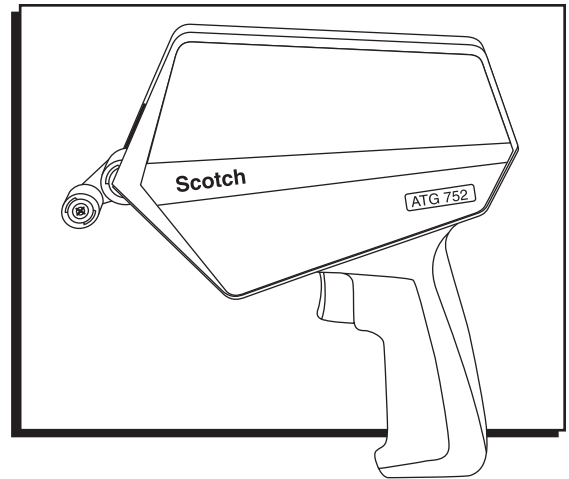
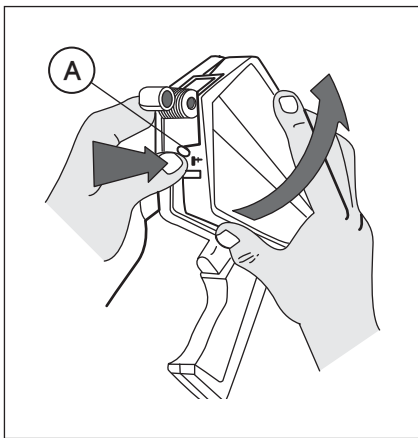


**ULINE H-1446**  
**ADHESIVE TRANSFER**  
**TAPE DISPENSER**

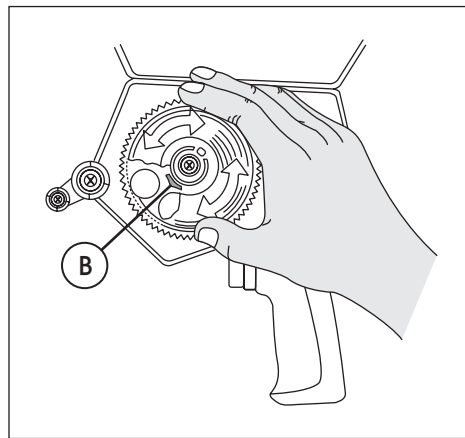
1-800-295-5510  
 uline.com



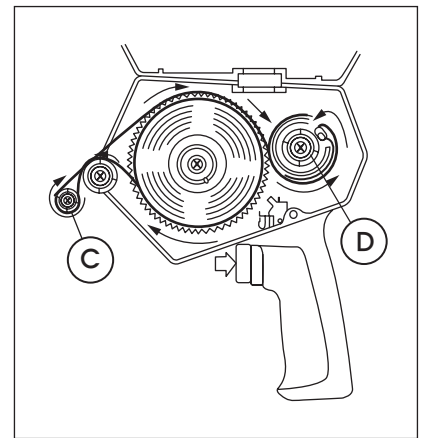
**OPERATION**



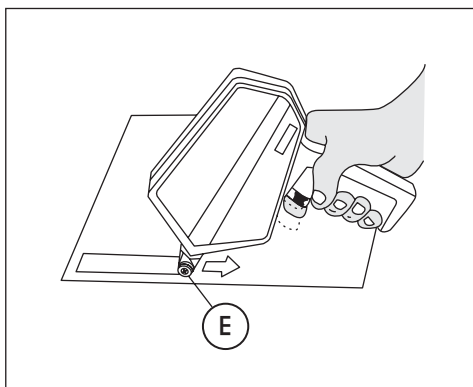
1. Depress "A" and lift to open cover.



2. Place tape roll on hub, insert finger "B" in tape core slot.

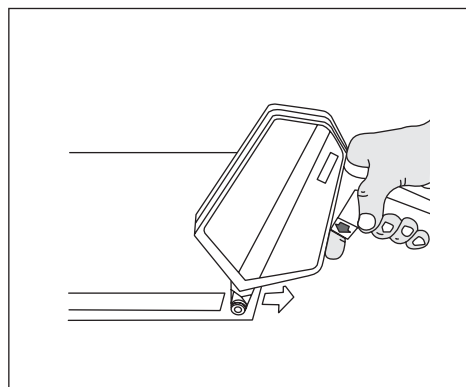


3. Depress trigger and thread tape leader/liner as shown. Stop end of leader at point "C". Release trigger and rotate rewind hub "D" to tighten liner. Close cover.



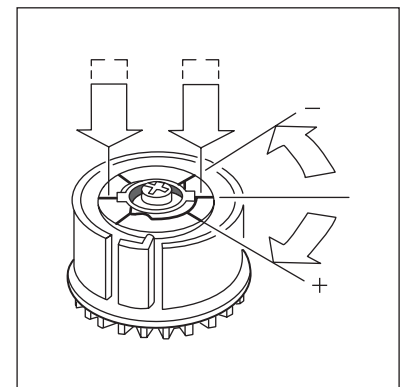
**To start application:**

4. Place applying roller "E" on surface, depress trigger and pull dispenser.



**To end application:**

5. Keep roller on surface, release trigger and pull dispenser to break adhesive.



6. liner tension adjustment.