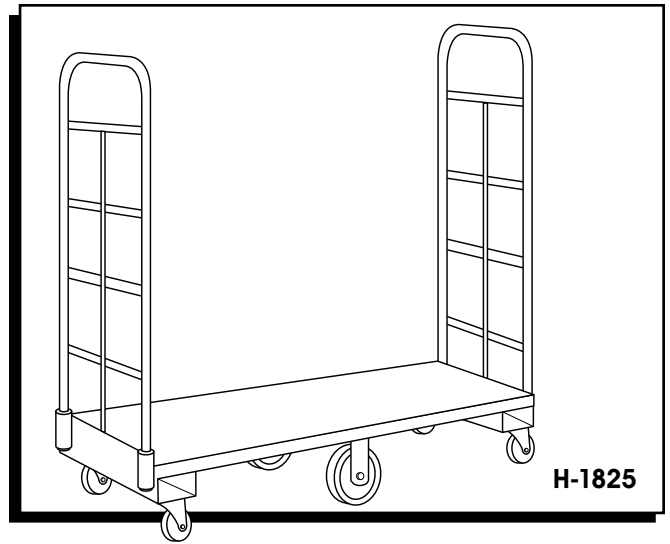
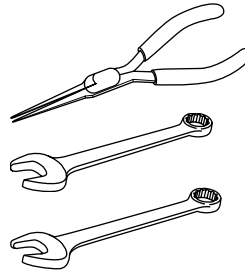


ULINE H-1825
U-BOAT
PLATFORM TRUCK

1-800-295-5510
uline.com



TOOLS NEEDED



Needle-Nose Pliers

9/16" Wrench (14 mm)

11/16" Wrench (17 mm)

PARTS LIST



Washer x40



Lock Washer x8



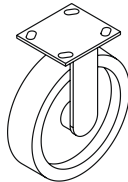
Small Nut x16



Pin x4



Swivel Caster x4



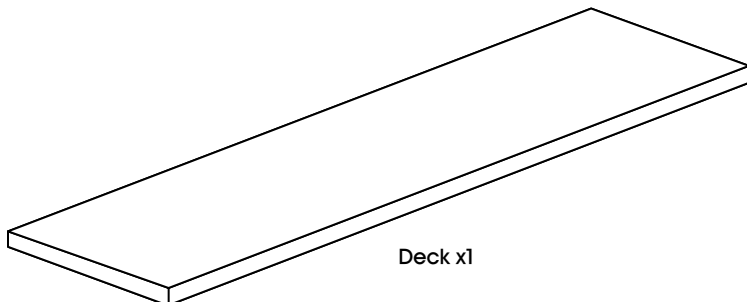
Large Center Wheels x2



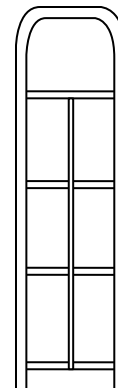
Small Bolt x16



Large Bolt x8

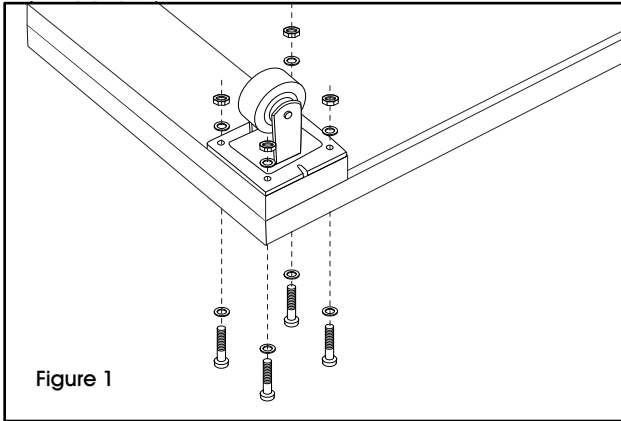


Deck x1

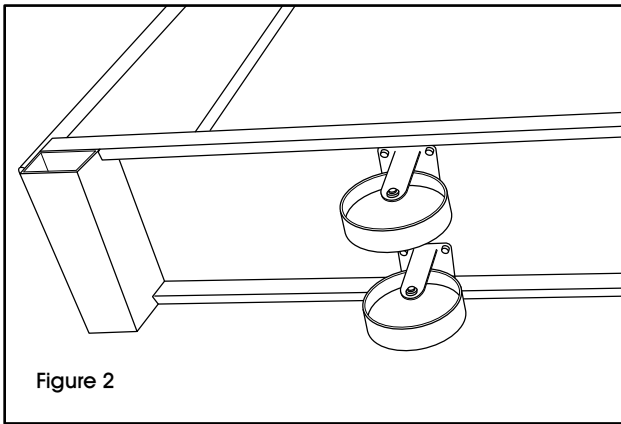


Handle x2

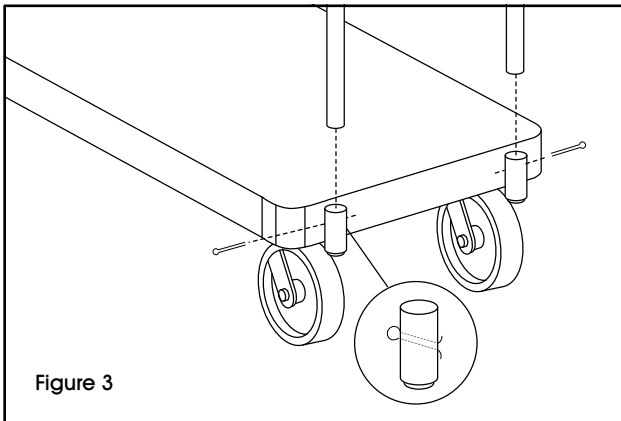
ASSEMBLY



1. Place deck on a smooth non marring surface with top side down. Mount swivel casters to deck with small bolts, small nuts, and washers. (See Figure 1)



2. Mount large center wheels to deck with large bolts, lock washers and washers. (See Figure 2)



3. Turn the deck over onto its casters and insert the handle into the sockets. Insert pins. Use pliers to secure pins into place to secure handles. (See Figure 3)