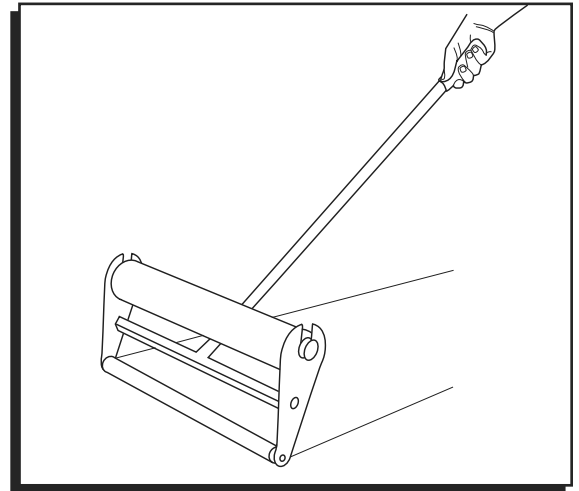



ULINE H-957

24-36" CARPET TAPE APPLICATOR

1-800-295-5510
uline.com



ASSEMBLY

 **IMPORTANT:** Do not use air or power tools. Check the package contents to make sure you have received all of the parts in the correct quantities.

1. Insert left and right end brackets into square center connecting tube matching colored dots. Set to 24" or 36" spacing.
2. Insert 24" or 36" spring-loaded roller into roller hole in end brackets.
3. Insert core adapters into carpet tape roll (purchased separately), slide 24" or 36" carpet tape axle through core adapters and place onto pins at upper end of end brackets.

 **IMPORTANT:** Do not throw away the core adapters after use. Keep to reuse.

