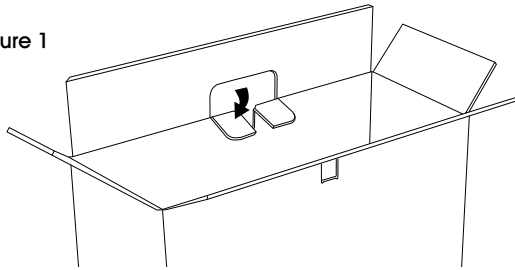


## ASSEMBLY

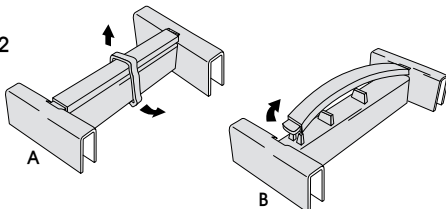
1. Fold corrugated tabs in the bar cutout toward the inside of the box. (See Figure 1)

Figure 1



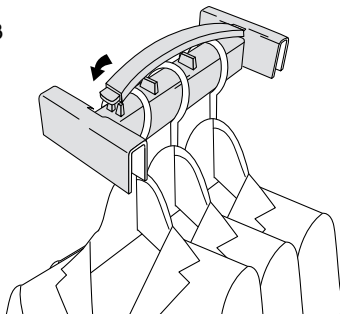
2. Take the bar and remove the clip. (See Figure 2A)
3. Slightly bend cover and lift off the bar. (See Figure 2B)

Figure 2



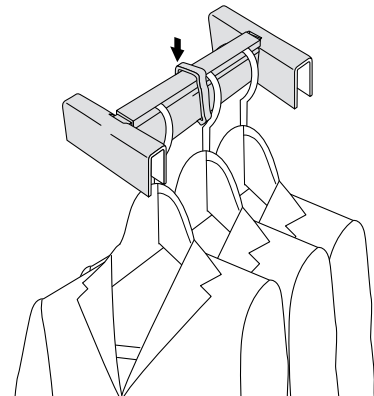
4. Hang suits/garments on hangers and place the hangers on the bar. (See Figure 3)

Figure 3



5. Slightly bend cover and place back on the bar to secure hangers in place. Place the clip back on. (See Figure 4)

Figure 4



6. Insert the garments inside the box and secure the bar inside of cutouts. (See Figure 5)

Figure 5

