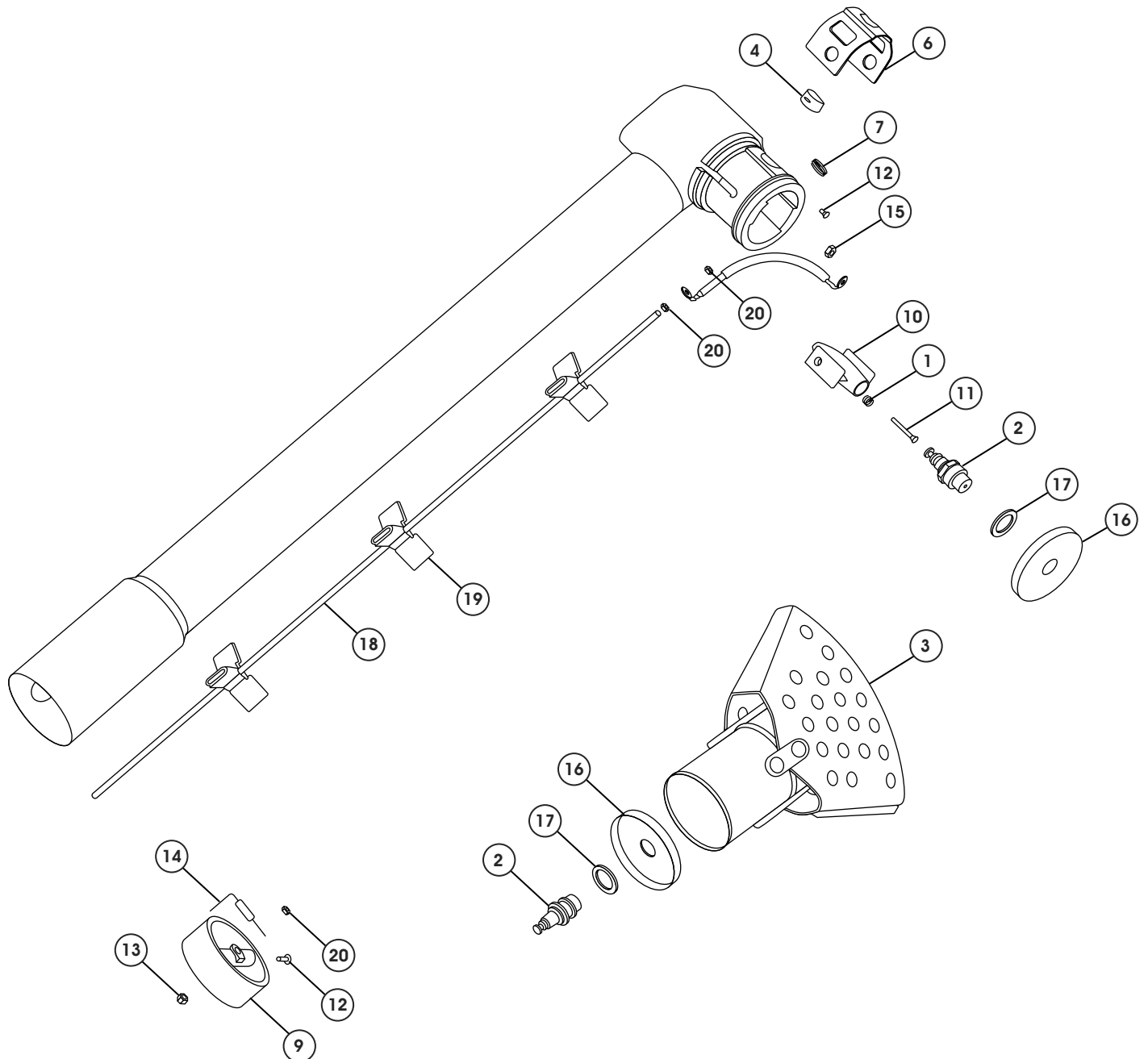
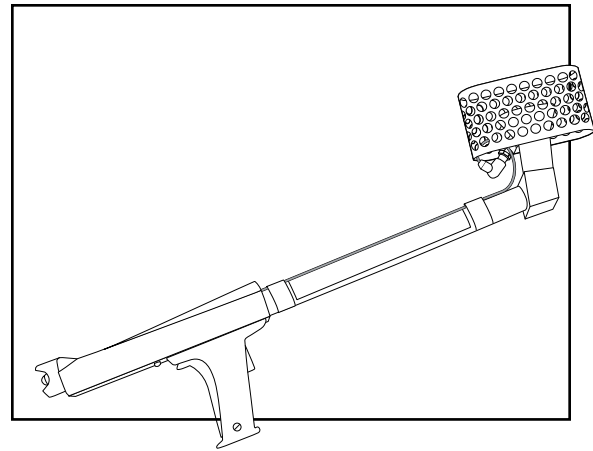


ULINE H-1302, H-1303
SHRINKFAST 998
EXTENSION

1-800-295-5510
uline.com



ULINE H-1302, H-1303
SHRINKFAST 998
EXTENSION

1-800-295-5510
 uline.com

#	DESCRIPTION	QTY.	ULINE PART NO.	MFG. PART NO.
1	Contact Spring	1	H-950-SPRING	19026A
2	Spark Plug	1	H-950-PLUG	190280
3	Combustor	1	H-950-CMBSTR	190300
4	Button	1	H-950-31	190310
5	O-Ring (Not Shown)	1	H-950-190330	190330
6	Strap	1	H-950-PART34	190340
7	Button Spring	1	H-950-35	190350
8	6-32 X 1" Philips Pan Head Screw (Not Shown)	1	-----	190620
9	Contact Base	1	-----	190630
10	Socket	1	-----	190670
11	4-40 X 3/4", S/S Contact Screw	1	-----	190690
12	10-32 X 3/8" Screw Set	1	-----	190780
13	6-32 Hex Cap Nut Brass	1	-----	190800
14	Resistor	1	-----	190810
15	4-40 S/S Nut	1	-----	190820
16	Screen	1	-----	190830
17	Screen Retaining Washer	1	-----	19083A
18	Contact Assembly (For H-1303 Only)	1	-----	198840
19	Plastic, 3 Pointer Spacer (For H-1303 Only)	3	-----	190870
20	6-32 Hex Nut (For H-1303 Only)	2	-----	190890