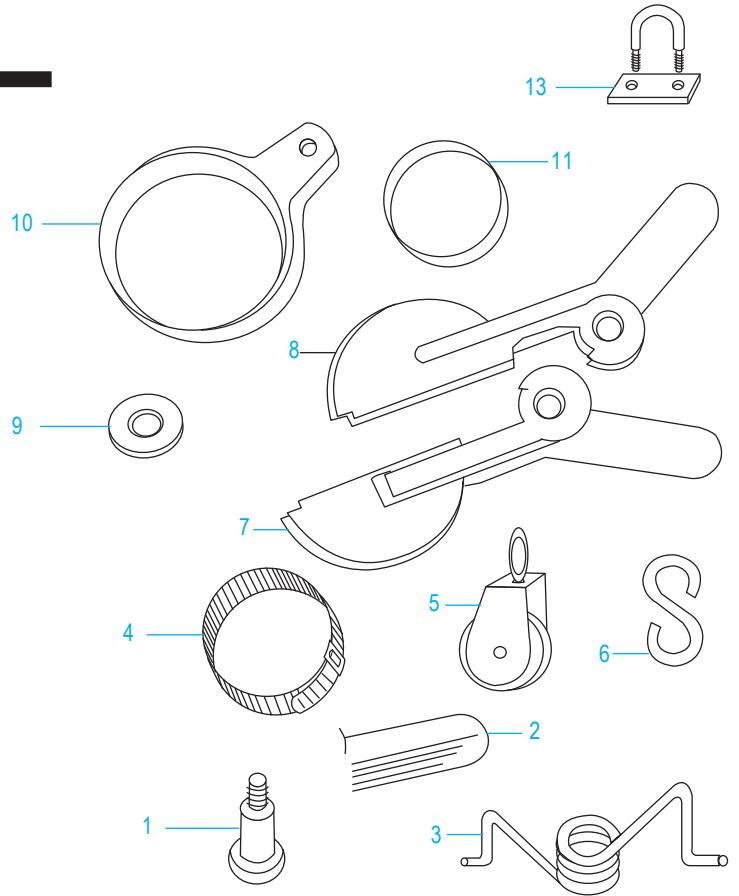
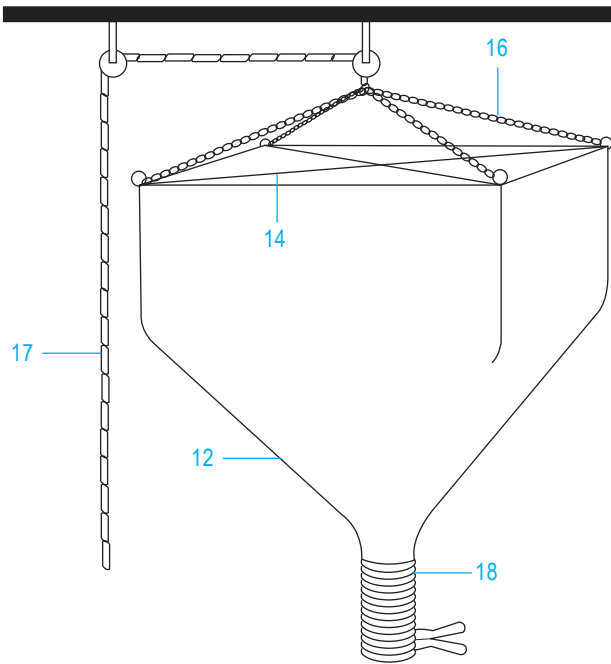
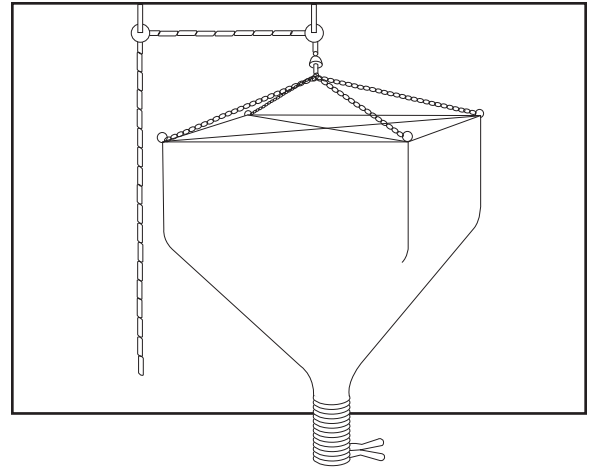




H-184, H-185, H-186
H-196, H-201

PEANUT DISPENSER

1-800-295-5510
uline.com



#	DESCRIPTION	QTY.	ULINE PART NO.	MFG. PART NO.
1	1/2" x 1" Stripper Bolt	1	H-185B	#1
2	Plastic Handle	2	H-185-2	#2
3	Torsion Spring	1	H-185S	#3
4	5" Clamp	1	H-185-4-5	#4-5
4	6" Clamp	1	H-185-4-6	#4-6
5	Pulley	2	H-185-5	#5-SM
6	S-Hook	1	H-185-SH	#6
7	Left Hand Shutter 5"	1	H-185LS	#7-5

#	DESCRIPTION	QTY.	ULINE PART NO.	MFG. PART NO.
7	Left Hand Shutter 6" (Optional)	1	H-185-LS6IN	#7-6
8	Right Hand Shutter 5"	1	H-185RS	#8-5
8	Right Hand Shutter 6" (Optional)	1	H-185-RS6IN	#8-6
9	1-1/2" Pffe Washer	2	H-185W	#9
10	1 Valve Base 5"	1	H-185-BASE5	#10-5
10	1 Valve Base 6" (Optional)	1	H-185-BASE10	#10-6
11	Steel Ring 5"	1	H-185-11-5	#11-5
11	Steel Ring 6" (Optional)	1	H-185-11-6	#11-6
12	15 Cu. Ft. Bag	1	H-184B	#12-15
12	20 Cu. Ft. Bag	1	H-185BAG	#12-20
12	40 Cu. Ft. Bag	1	H-186BAG	#12-40
12	60 Cu. Ft. Bag	1	H-196-BAG	#12-60
12	80 Cu. Ft. Bag	1	H-201-BAG	#12-80
13	U-Bolt Clamp For Cross Rod	1	H-185-13	#13
14	1/4" Steel Cross Rod	2	H-185-14	#14
15	Black rods with orange tips (For H-184, Not Shown)	2	-----	-----
16	Chain 32"	4	H-185-15	#15
17	Cotton Rope (For H-184, H-185 and H-186)	1	H-185ROPE-15	UROPE-15FT
17	Cotton Rope (For H-196 and H-201)	1	H-185ROPE-30	UROPE-30FT
18	5" Flex Tubing 1' Length (Optional)	1	H-185FH-1	#17-5
18	6" Flex Tubing 1' Length (Optional)	1	H-185D-1	#17-6
18	5" Flex Tubing 2' Length	1	H-185FH-2	#17-5
18	6" Flex Tubing 2' Length (Optional)	1	H-185D-2	176
18	5" Flex Tubing 3' Length (Optional)	1	H-185FH-3	#17-5
18	6" Flex Tubing 3' Length (Optional)	1	H-185D-3	#17-6
18	5" Flex Tubing 4' Length (Optional)	1	H-185FH-4	#17-5
18	6" Flex Tubing 4' Length (Optional)	1	H-185D-4	#17-6
18	5" Flex Tubing 5' Length (Optional)	1	H-185FH-5	#17-5
18	6" Flex Tubing 5' Length (Optional)	1	H-185D-5	#17-6
18	5" Flex Tubing 6' Length (Optional)	1	H-185FH-6	#17-5
18	6" Flex Tubing 6' Length (Optional)	1	H-185D-6	#17-6
18	5" Flex Tubing 8' Length (Optional)	1	H-185FH-8	#17-5
18	6" Flex Tubing 8' Length (Optional)	1	-----	-----
Kit 1	5" Scissor Valve (Complete) Includes 7, 8, 3, 1, 4, 9, 10	1	H-202	#19-5
Kit 2	6" Scissor Valve (Complete) Includes 7, 8, 3, 1, 4, 9, 10	1	H-203	19-6
Kit 3	6" Conversion Kit Includes 11, 4, 17 (1ft)	1	H-196-6"	206